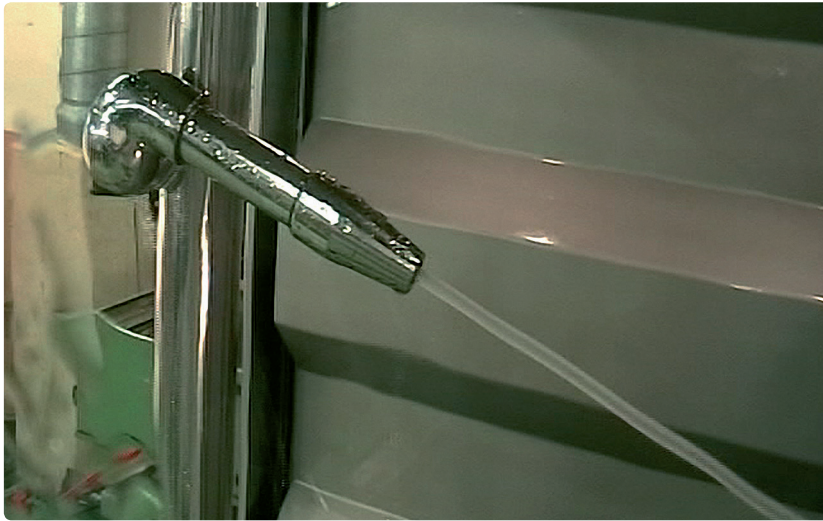


SC 30TA

Scanjet tank cleaning equipment



KEY FEATURES

- + Aseptic
- + Internally and externally polished to 0,8 micron
- + Alcohol filled cofferdam available

SC 30TA is the first single nozzle aseptically designed programmable tank cleaning machine suited to large tank installations. The unit is internally and externally polished to end user specification and can also be delivered with alcohol cofferdams between the drive unit and tank atmosphere.

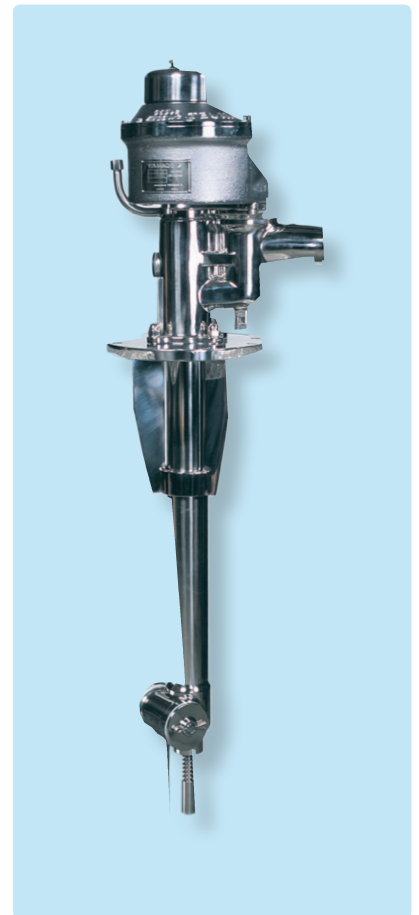
The single nozzle design delivers a solid and powerful jet with an optimized cleaning result on all tank surfaces. It comprises a unique separated turning and lifting moment with a rapid manual overdrive for sector cleaning setting.

Quality Control, Compliances & Certifications

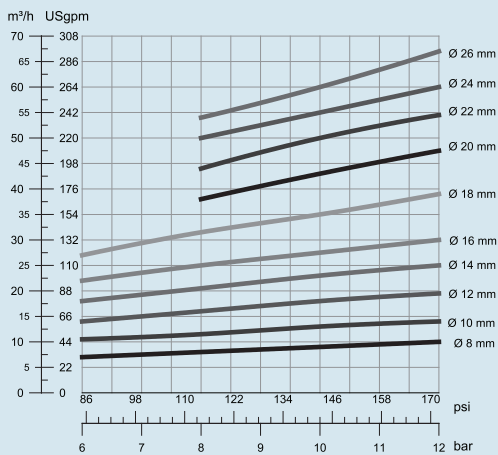
The SC 30TA is produced in accordance with ISO 9001 Quality Standards and our certificate of conformity and accreditation is available on request. Additionally, the SC 30TA conforms to United States ASME standards for construction and others are available upon request.

Typical applications

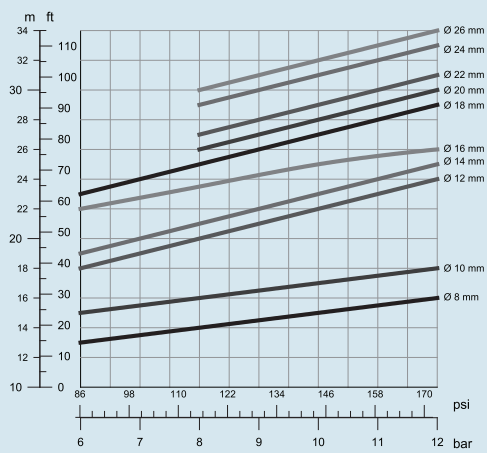
- + Large process vessels and reactors
- + Large storage tanks
- + Large transportations tanks
- + Juice tanks
- + Beverage tanks



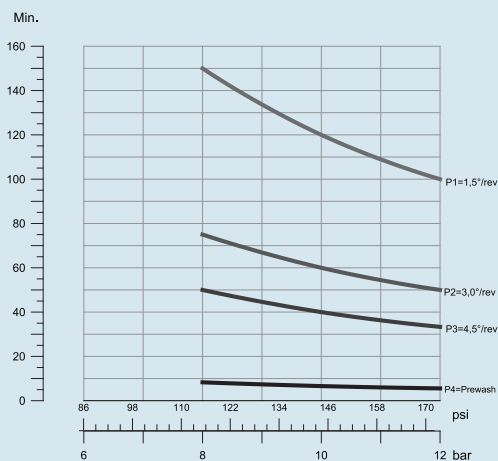
Technical performance



Pressure/Flow

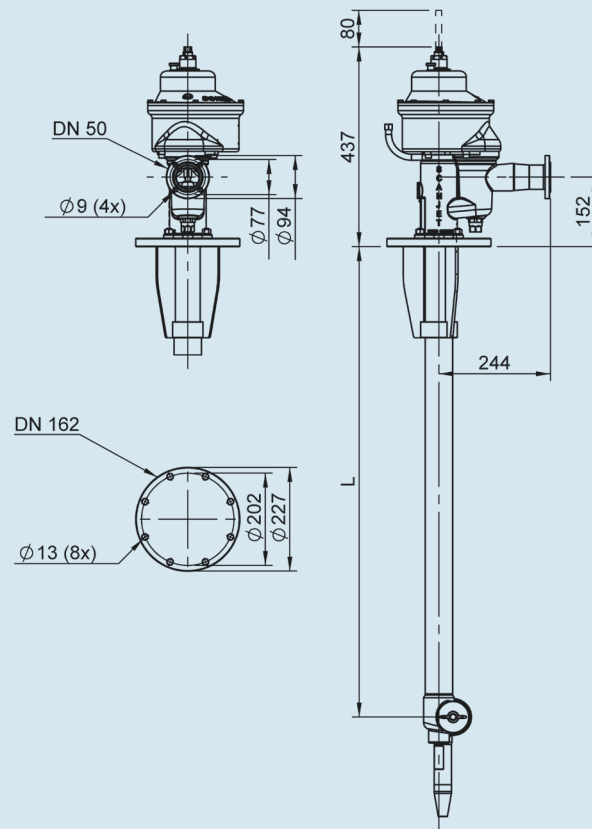


Jet length



Pattern time

Dimensions



Specifications

Flow	5-65 m ³ /h
Inlet pressure	6-12 bar
Max pressure	14 bar
Recommended pressure	8 bar
Max temperature	95°C
Rotation speed	1-1,6 rpm
Standard length	1000 mm
Weight	43 kg
Per additional meter of main pipe	10 kg
Tank connection	DN 162, DIN-11864-BF-A41*1,5-N-1,4404
Inlet connection	DN 50, DIN-11864-BF-A41*1,5-N-1,4404
Materials	AISI 316, PTFE, Viton
Lubrication	Cleaning Media



Scanjet Systems AB
 P.O. Box 9316
 SE-400 97 Göteborg Sweden
 Phone + 46 31 338 75 30
 Fax + 46 31 338 75 40
 E-mail sales@scanjetsystems.com
 Web www.scanjetsystems.com